

## NA6909-ZW-XL

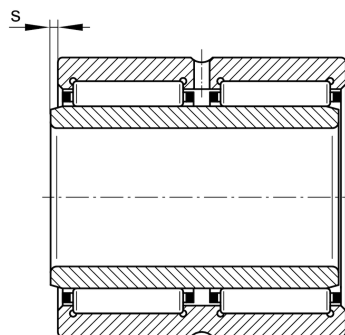
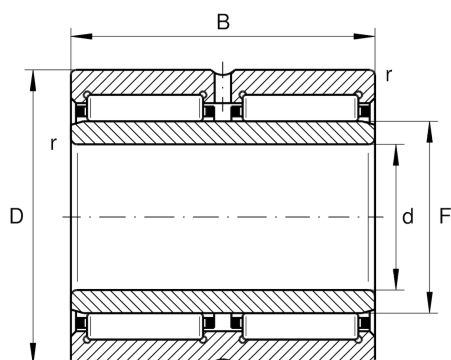
### Needle roller bearing

Schaeffler ID:  
0507442160000

Needle roller bearings NA69..-ZW,  
Dimension series 69, double row

X-life

## Technical information



### Main Dimensions & Performance Data

d	45 mm	Bore diameter
D	68 mm	Outside diameter
B	40 mm	Width
$C_r$	79,000 N	Basic dynamic load rating, radial
$C_{0r}$	127,000 N	Basic static load rating, radial
$C_{ur}$	21,800 N	Fatigue load limit, radial
$n_G$	8,600 1/min	Limiting speed
$n_{gr}$	4,750 1/min	Reference speed
	508 g	Weight

### Dimensions

F	52 mm	Raceway diameter inner ring
$r_{min}$	0.6 mm	Minimum chamfer dimension
s	0.5 mm	Axial displacement

### Temperature range

$T_{min}$	-30 °C	Operating temperature min.
$T_{max}$	120 °C	Operating temperature max.